

**SAFETY HEALTH AND ENVIRONMENTAL INFORMATION**

IN ADDITION TO THE HAZARDS/RISKS NORMALLY ASSOCIATED WITH THE TYPES OF WORK DETAILED ON THIS DRAWING, NOTE THE FOLLOWING SIGNIFICANT RESIDUAL RISKS:

**CONSTRUCTION**

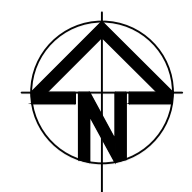
- CAUTION SHOULD BE TAKEN WHEN WORKING AROUND THE RAMP AREA TO PREVENT STRUCTURAL DAMAGE TO THE ADJACENT PROPERTY
- CAUTION SHOULD BE TAKEN TO AVOID STRIKING SERVICES
- TOWPATH TO BE KEPT CLEAR WHEN WORK IS NOT TAKING PLACE

**MAINTENANCE**  
NO UNUSUAL RISK / HAZARD.

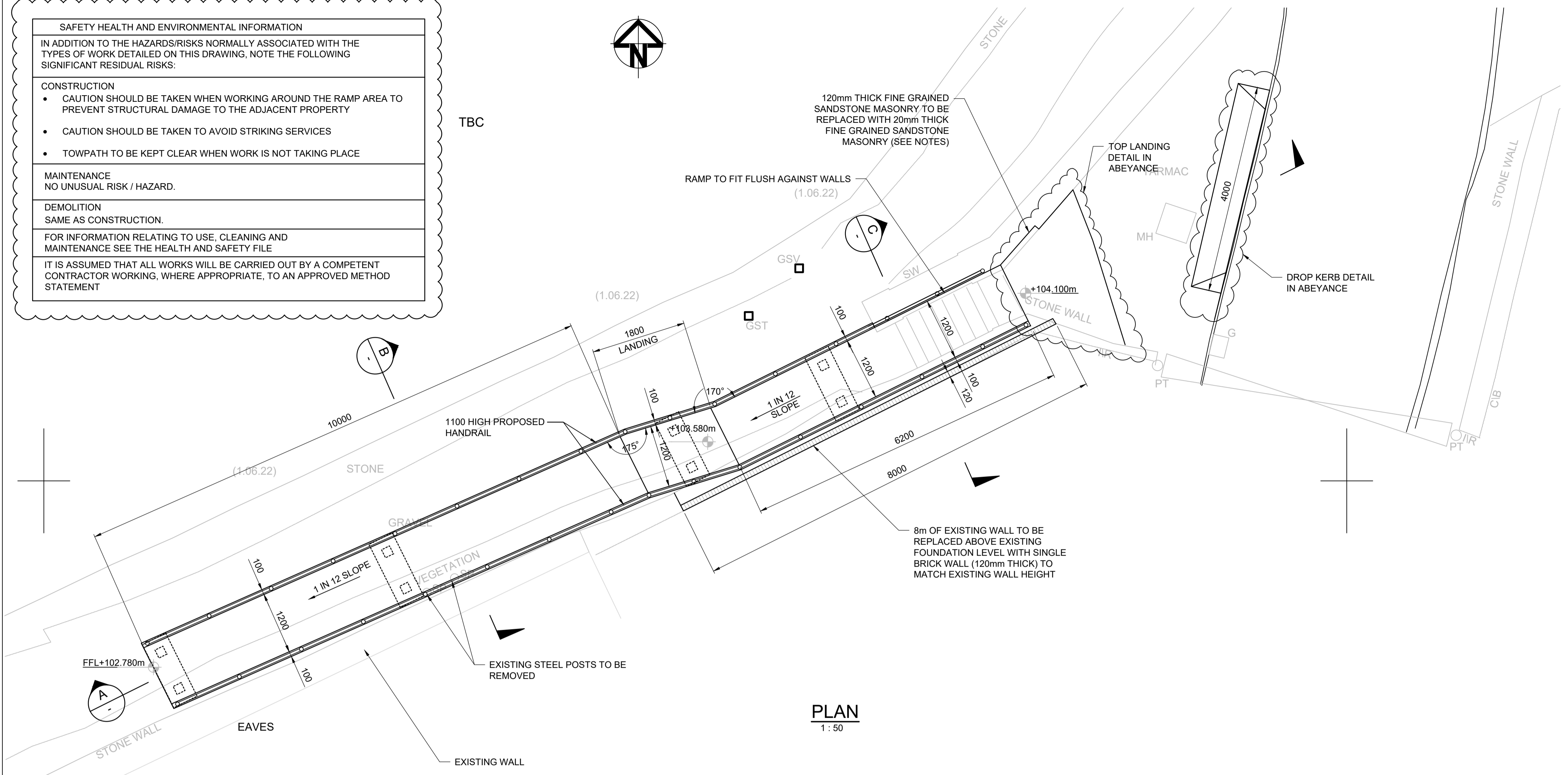
**DEMOLITION**  
SAME AS CONSTRUCTION.

FOR INFORMATION RELATING TO USE, CLEANING AND MAINTENANCE SEE THE HEALTH AND SAFETY FILE

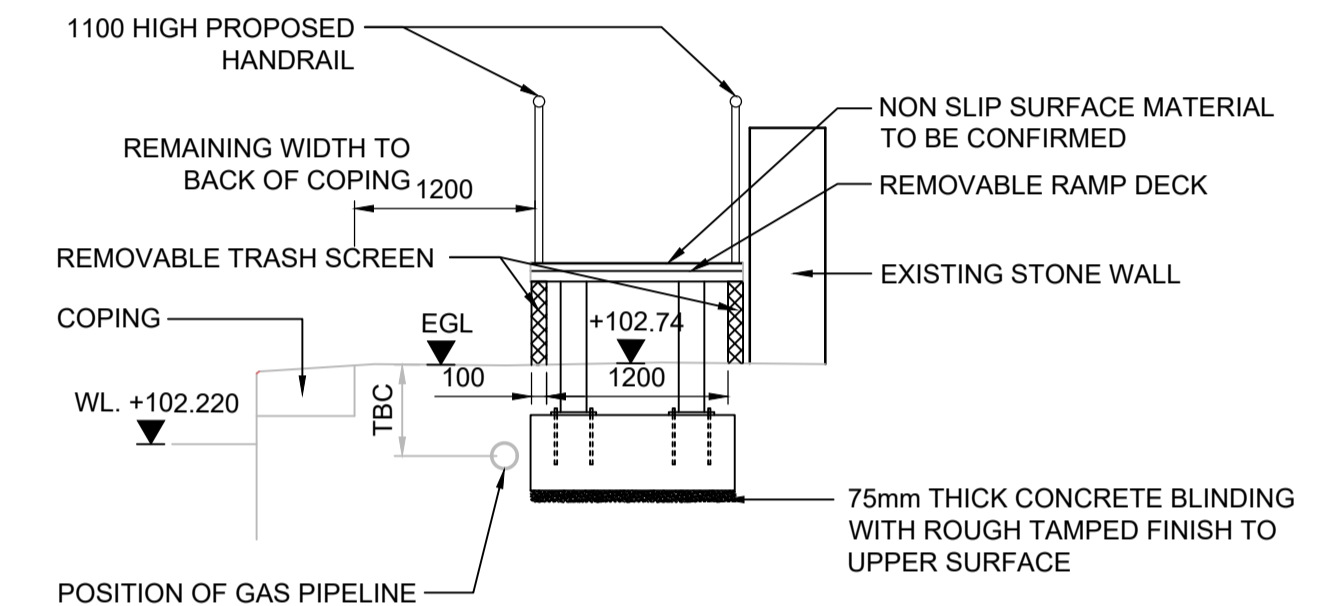
IT IS ASSUMED THAT ALL WORKS WILL BE CARRIED OUT BY A COMPETENT CONTRACTOR WORKING, WHERE APPROPRIATE, TO AN APPROVED METHOD STATEMENT



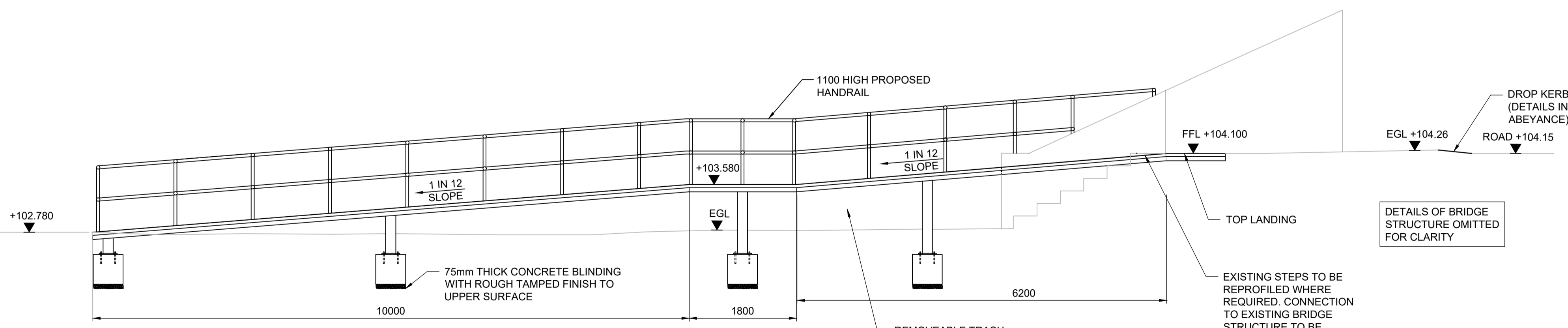
TBC



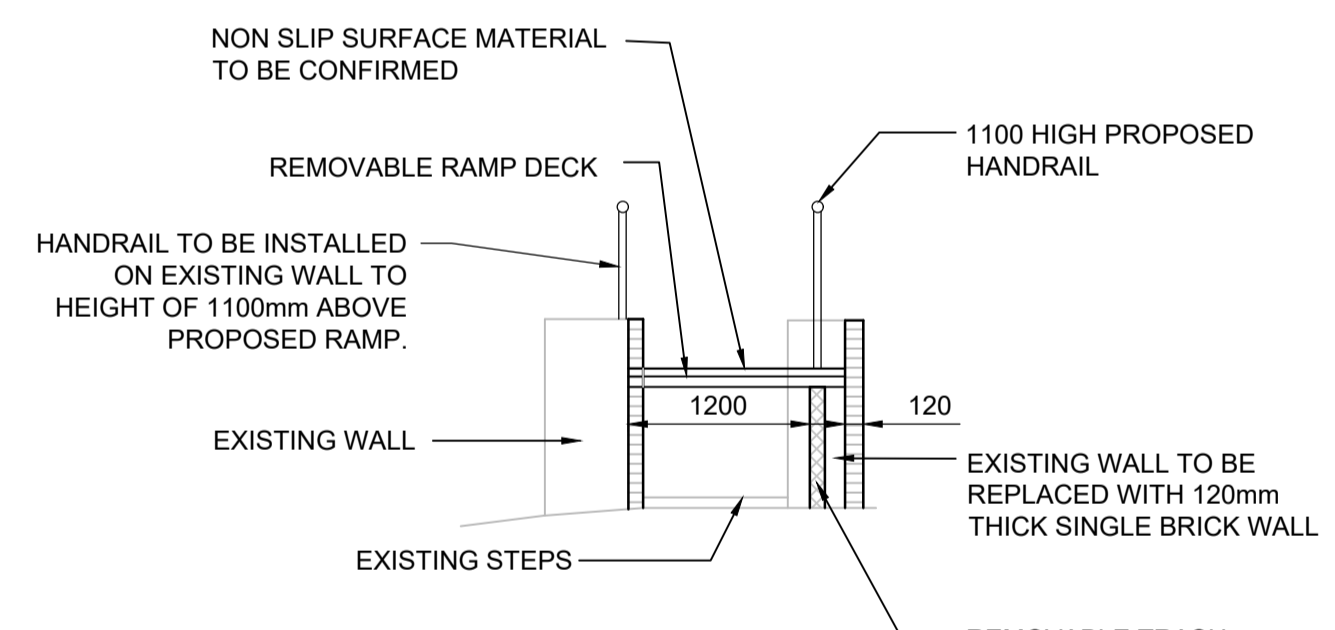
**PLAN**  
1:50



**B SECTION B**  
1:50



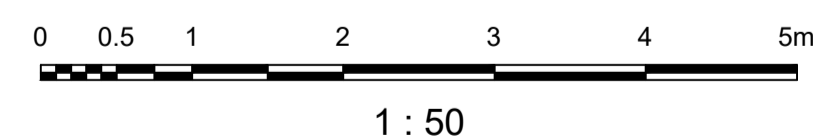
**A SECTION A**  
1:50



**C SECTION C**  
1:50

PROPOSED WORK EXTENTS / DIMENSIONS / LEVELS SHOWN INDICATIVELY, TO BE CONFIRMED ON SITE

**DRAFT**



Rev	Date	Description	Drawn	Check	Approv
P011	11/08/23	FOR INFORMATION	PT	MK	

- NOTES:**
- ALL DIMENSIONS ARE IN MILLIMETERS UNLESS STATED OTHERWISE.
  - ALL LEVELS ARE IN METERS ABOVE ORDNANCE DATUM.
  - DO NOT SCALE FROM THIS DRAWING.
  - ALL MORTAR USED IN THE CONSTRUCTION OF ALL MASONRY FACING IS TO BE LIME SAND MORTAR.
  - MASONRY FACE WORK TO BE ATTACHED TO THE CONCRETE BY MEANS OF STAINLESS STEEL "SAFETY TIES".



Suitability Description:

FOR INFORMATION			
Designed	S.ALI	Date	11/08/23
Drawn	E.FLYNN	Date	23/08/23
Checked	P.MEOTTI	Date	23/08/23
Approved		Date	
Scale:	AS SHOWN	Datum:	ACD
Original Size:	A1	Grid:	OS
Suitability Code:	S2	Project Number:	-

**PROJECT:**  
HUDDERSFIELD NARROW CANAL

**TITLE:**  
BRITANNIA BRIDGE  
GENERAL ARRANGEMENT

**ARCADIS** Design & Consultancy for natural and built environments

Registered office: 103 Colmore Row, Birmingham, B3 3AG  
Tel: 44 (0)7469 034429

Coordinating office: Fearn Wharf, Neptune Street, Leeds LS9 8PD  
Tel: 44 (0)303 040 4040

www.arcadis.com

Drawing Number: 30185153-ARC-BRT-XX-DR-CE-0001  
Revision: P01